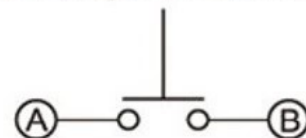


ON-OFF

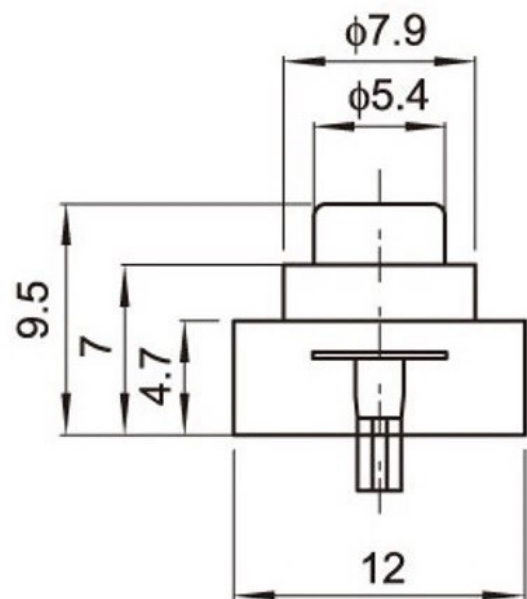
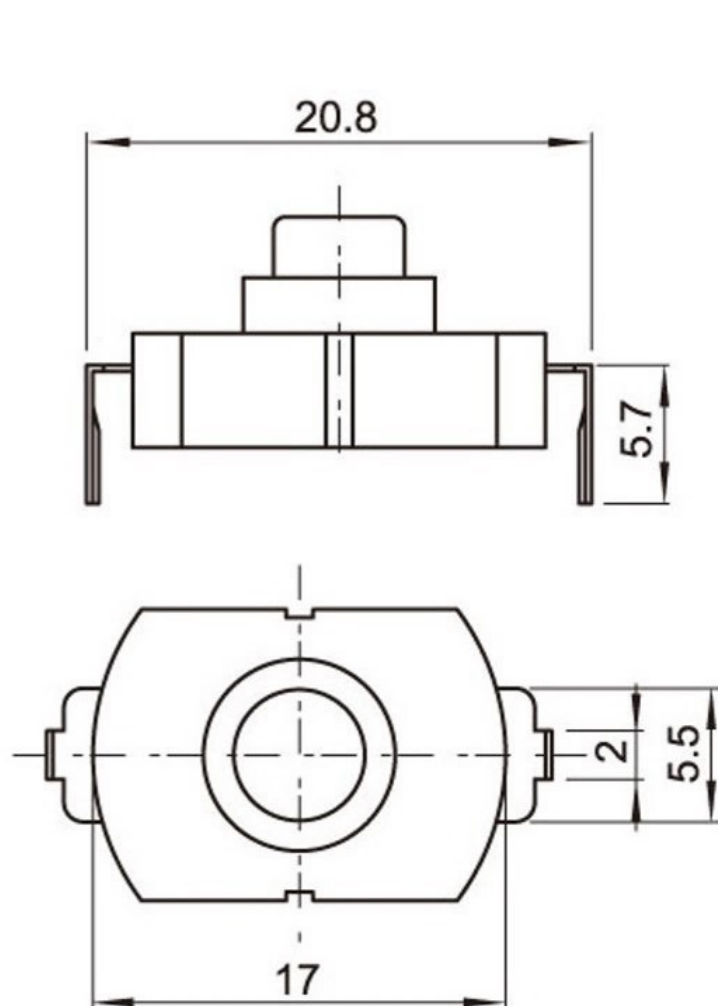
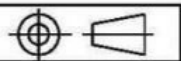


无锁(常闭.按通)

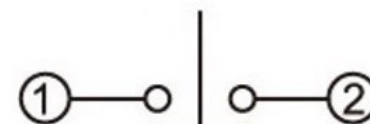


注：“\*”□表示关键尺寸(3个).

NO.	PARTS	MATERIALS	Q'TY		TOLERANCE UNLESS SPECIFIED				
8									
7									
6					WITHIN 1.5mm : ±0.1mm	A	2012-8-13	初版	
5	SPRING	SUS	1	NATURAL	OVER 1.5mm : ±0.2mm	ISSUE	DATE	DESCRIPTIONS OF REVISION	APPD.
4	CAM STICK	SUS	1	NATURAL	TITLE : VERTICAL PUSH SWITCH		UNIT : mm	DRWG NO.:	
3	CASE	PA66/BRASS STRIP	1	GREY/Ag PLATED	MODEL:		SCALE: 5:1	DWN.	2012-8-13
2	COVER	PA66	1	BLACK	东莞市高迪电子有限公司			CHK'D	
1	KNOB	PA66/PBS C5210R-EH	1	WHITE/Ag CLAD				APPD.	



ON-OFF

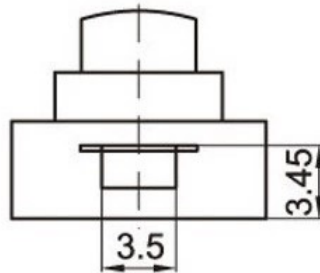
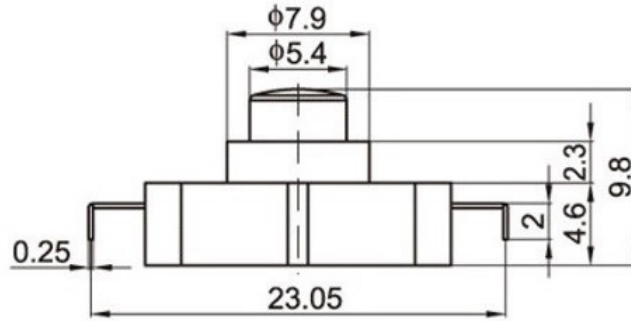
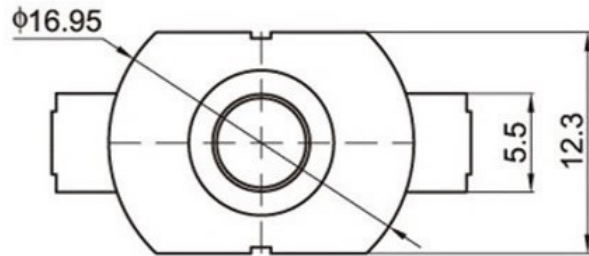
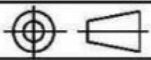


电路简图

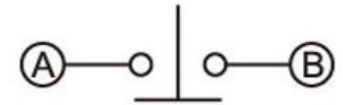
SCHEMATIC (NON-SHORTING)

注：“\*”□表示关键尺寸(3个).

NO.	PARTS	MATERIALS	Q'TY		TOLERANCE UNLESS SPECIFIED						
8											
7											
6					WITHIN 1.5mm : ±0.1mm	A	2012-8-13	初版			
5	SPRING	SUS	1	NATURAL	OVER 1.5mm : ±0.2mm	ISSUE	DATE	DESCRIPTIONS OF REVISION	APPD.		
4	CAM STICK	SUS	1	NATURAL	TITLE : VERTICAL PUSH SWITCH				UNIT : mm	DRWG NO.:	
3	CASE	PA66/BRASS STRIP	1	GREY/Ag PLATED	MODEL:				SCALE: 5:1	DWN.	2012-8-13
2	COVER	PA66	1	BLACK	东莞市高迪电子有限公司				CHK'D		
1	KNOB	PA66/PBS C5210R-EH	1	WHITE/Ag CLAD					APPD.		2012-8-13



ON-OFF

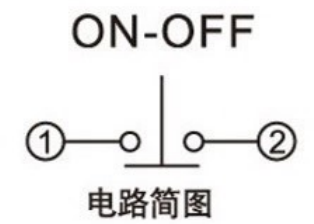
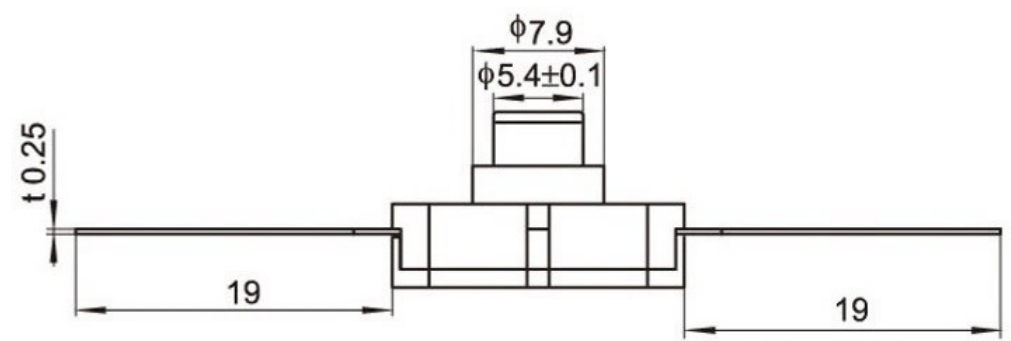
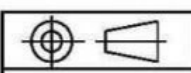


电路简图

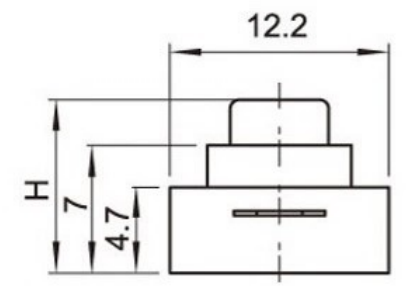
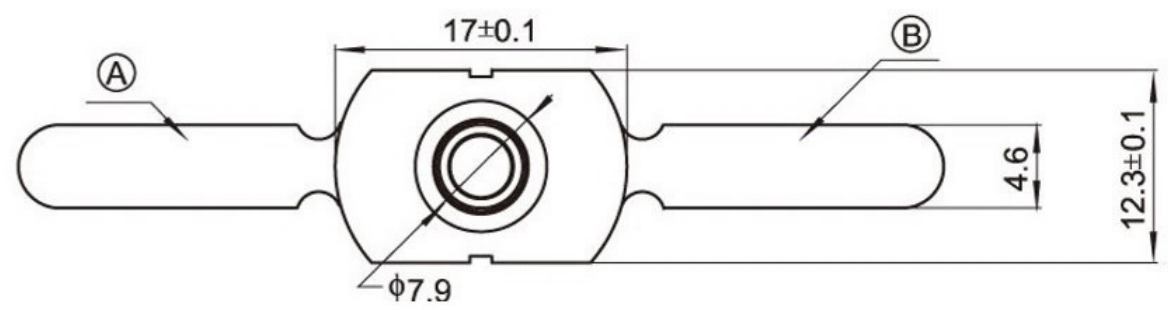
SCHEMATIC (NON-SHORTING)

注：“\*”□表示关键尺寸(3个).

NO.	PARTS	MATERIALS	Q'TY		TOLERANCE UNLESS SPECIFIED				
8									
7									
6					WITHIN 1.5mm : ±0.1mm	A	2012-8-13	初版	
5	SPRING	SUS	1	NATURAL	OVER 1.5mm : ±0.2mm	ISSUE	DATE	DESCRIPTIONS OF REVISION	APPD.
4	CAM STICK	SUS	1	NATURAL	TITLE : VERTICAL PUSH SWITCH			UNIT : mm	DRWG NO.:
3	CASE	PA66/BRASS STRIP	1	GREY/Ag PLATED	MODEL:			SCALE: 5:1	DWN.
2	COVER	PA66	1	BLACK	东莞市高迪电子有限公司				2012-8-13
1	KNOB	PA66/PBS C5210R-EH	1	WHITE/Ag CLAD					2012-8-13
								CHK'D	
								APPD.	

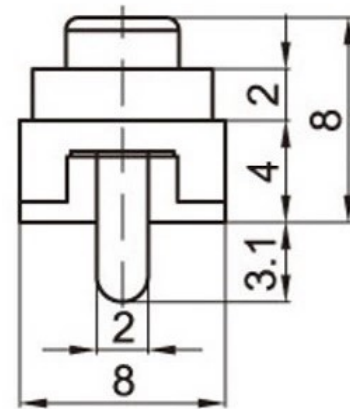
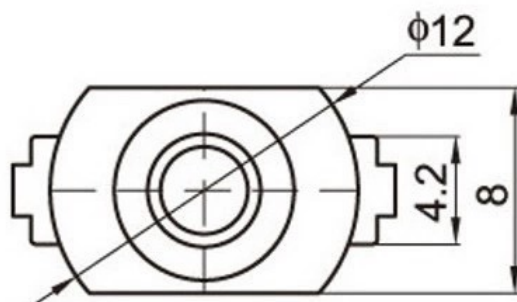
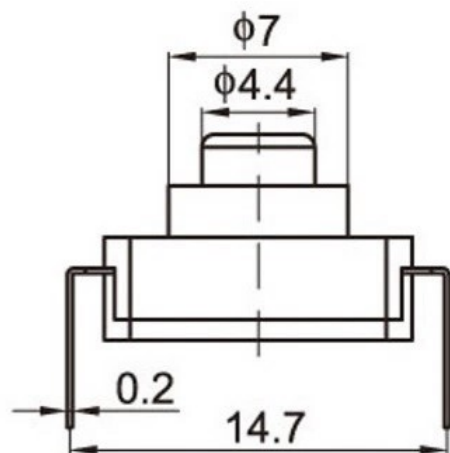
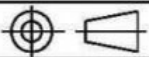


SCHEMATIC (NON-SHORTING)

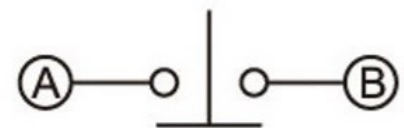


注：“\*”□表示关键尺寸(3个).

8					TOLERANCE				
7					UNLESS SPECIFIED				
6					WITHIN 1.5mm : ±0.1mm	A	2012-8-13	初版	
5	SPRING	SUS	1	NATURAL	OVER 1.5mm : ±0.2mm	ISSUE	DATE	DESCRIPTIONS OF REVISION	
4	CAM STICK	SUS	1	NATURAL	TITLE : VERTICAL PUSH SWITCH			UNIT : mm	DRWG NO.:
3	CASE	PA66/BRASS STRIP	1	GREY/Ag PLATED	MODEL:			SCALE: 5:1	DWN.
2	COVER	PA66	1	BLACK	东莞市高迪电子有限公司				2012-8-13
1	KNOB	PA66/PBS C5210R-EH	1	WHITE/Ag CLAD				CHK'D	
NO.	PARTS	MATERIALS	Q'TY					APPD.	



ON-OFF

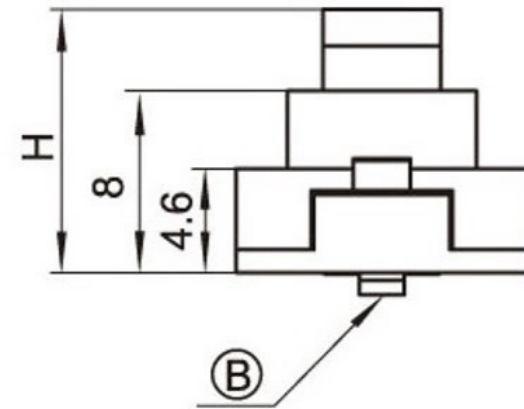
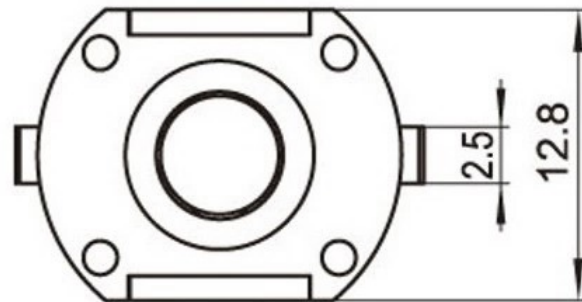
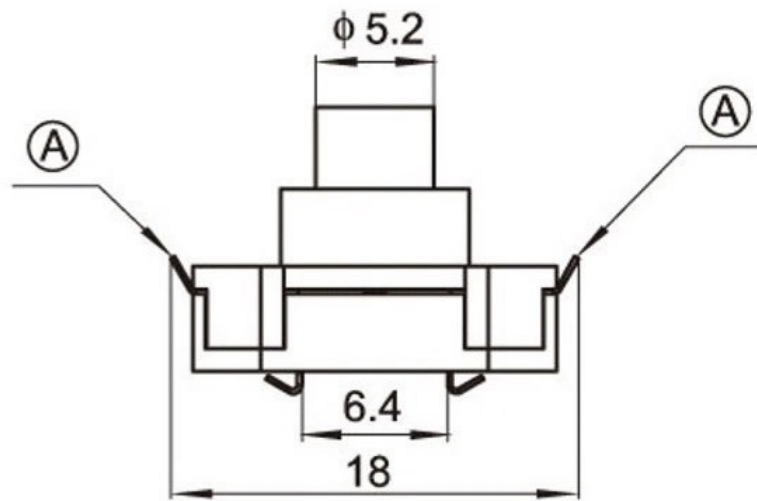
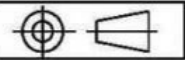


电路简图

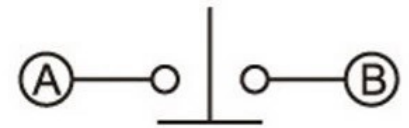
SCHEMATIC (NON-SHORTING)

注：“\*”□表示关键尺寸(3个).

NO.	PARTS	MATERIALS	Q'TY		TOLERANCE UNLESS SPECIFIED				
8									
7									
6					WITHIN 1.5mm : ±0.1mm	A	2012-8-13	初版	
5	SPRING	SUS	1	NATURAL	OVER 1.5mm : ±0.2mm	ISSUE	DATE	DESCRIPTIONS OF REVISION	APPD.
4	CAM STICK	SUS	1	NATURAL	TITLE : VERTICAL PUSH SWITCH		UNIT : mm	DRWG NO.:	
3	CASE	PA66/BRASS STRIP	1	GREY/Ag PLATED	MODEL:		SCALE: 5:1	DWN.	2012-8-13
2	COVER	PA66	1	BLACK	东莞市高迪电子有限公司			CHK'D	
1	KNOB	PA66/PBS C5210R-EH	1	WHITE/Ag CLAD				APPD.	



ON-OFF

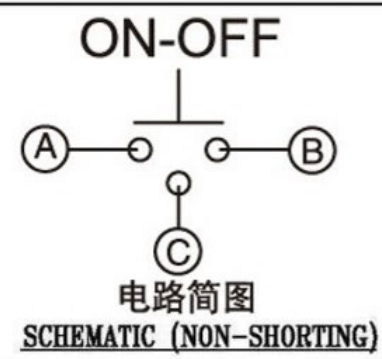
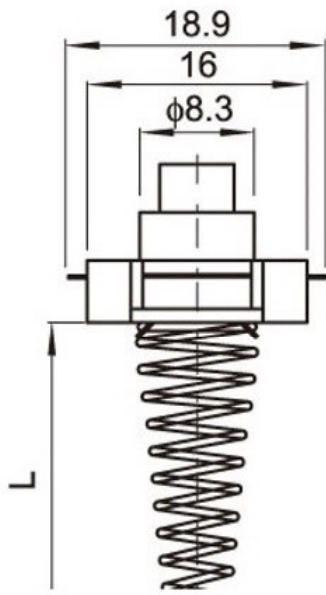
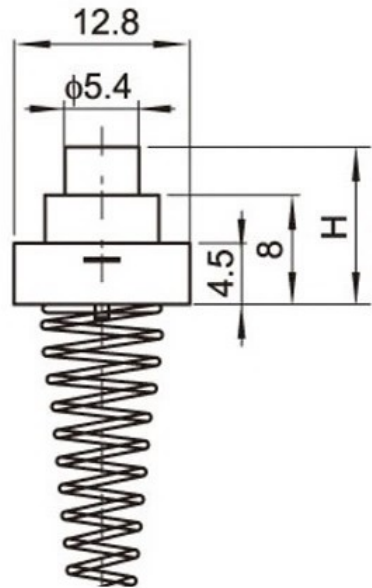
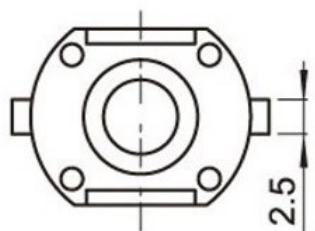
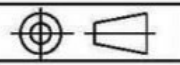


电路简图

SCHEMATIC (NON-SHORTING)

注：“\*”□表示关键尺寸(3个).

				TOLERANCE					
				UNLESS SPECIFIED					
				WITHIN 1.5mm : ±0.1mm	A	2012-8-13	初版		
				OVER 1.5mm : ±0.2mm	ISSUE	DATE	DESCRIPTIONS OF REVISION		APPD.
8				TITLE : VERTICAL PUSH SWITCH		UNIT : mm	DRWG NO.:		
7				MODEL:		SCALE: 5:1	DWN.		2012-8-13
6				东莞市高迪电子有限公司			CHK'D		2012-8-13
5	SPRING	SUS	1				NATURAL	APPD.	
4	CAM STICK	SUS	1	NATURAL					
3	CASE	PA66/BRASS STRIP	1	GREY/Ag PLATED					
2	COVER	PA66	1	BLACK					
1	KNOB	PA66/PBS C5210R-EH	1	WHITE/Ag CLAD					
NO.	PARTS	MATERIALS	Q'TY						



L: 10,16,21其它尺寸根据客户要求而定。  
H:11.5其它尺寸根据客户要求而定。

注："\*"□表示关键尺寸(3个)。

				TOLERANCE UNLESS SPECIFIED					
				WITHIN 1.5mm : ±0.1mm	A	2012-8-13	初版		
				OVER 1.5mm : ±0.2mm	ISSUE	DATE	DESCRIPTIONS OF REVISION		APPD.
8									
7									
6									
5	SPRING	SUS	1	NATURAL	TITLE : VERTICAL PUSH SWITCH		UNIT : mm	DRWG NO.:	
4	CAM STICK	SUS	1	NATURAL	MODEL:		SCALE: 5:1	DWN.	2012-8-13
3	CASE	PA66/BRASS STRIP	1	GREY/Ag PLATED	<b>東莞市黃江兆盛開關廠</b>		CHK'D		
2	COVER	PA66	1	BLACK			APPD.		2012-8-13
1	KNOB	PA66/PBS C5210R-EH	1	WHITE/Ag CLAD					
NO.	PARTS	MATERIALS	Q'TY						